

4

3

2

1

D

D

C

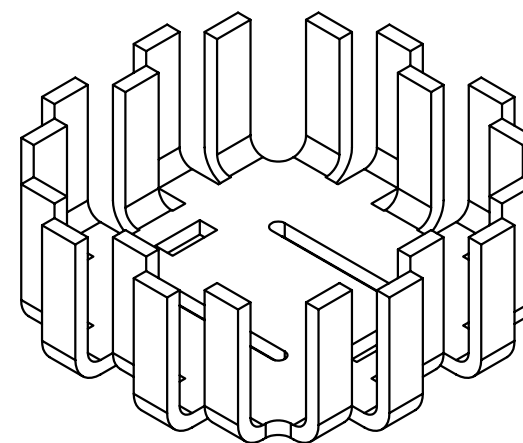
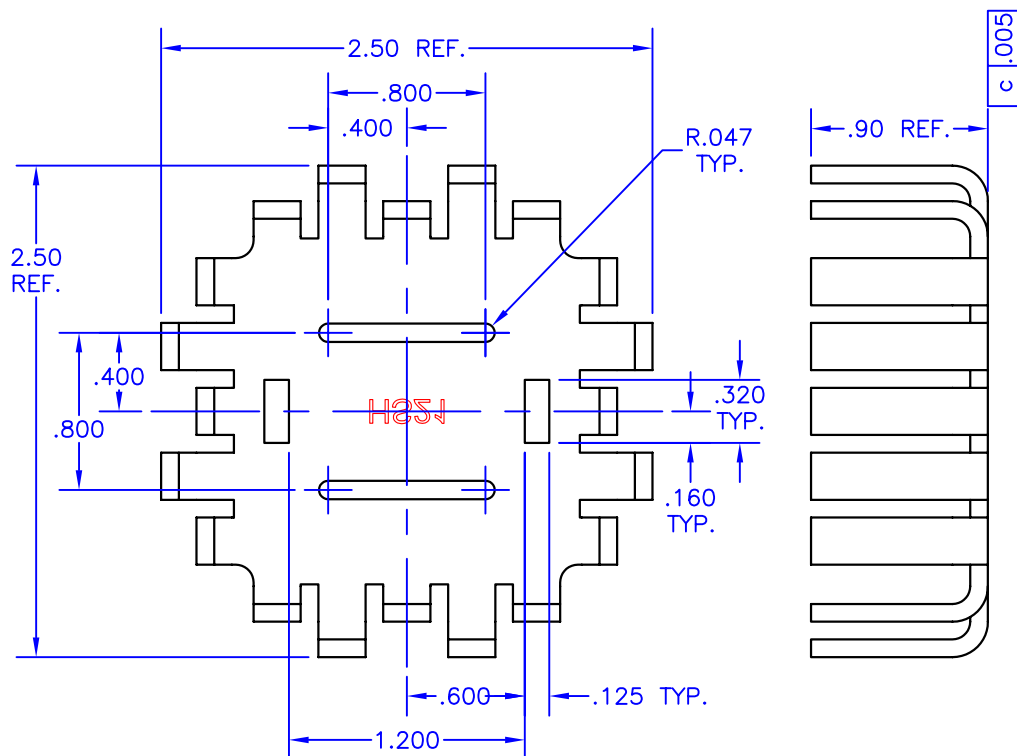
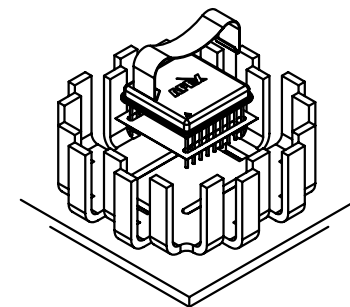
C

B

B

A

A



NOTES:

1. Unless otherwise noted, all dimensions are in inches.
2. Break all sharp edges, de-burr & remove loose chips.
3. Material: 6063-T5 aluminum (M/F CTS/IERC HP1-218 series)
4. Finish: Anodize per MIL-A-8625, Type II, Class 2, Black
Typical breakdown voltage > 300V
5. Mark with contrasting ink as shown, if specified by P.O.
6. Approximate Weight: 1.1 oz. [31g]

TOLERANCES - UNLESS OTHERWISE SPECIFIED
.XX = ± 0.01
.XXX = ± 0.005
ANG. = $\pm 5^\circ$



TITLE						PART NO.	
HEATSINK, DIP						HS21	
SUBJECT							
MECHANICAL DRAWING							
ENG.	TECH/DWN.	DCA	SH.	OF	FILENAME	REV	DATE
D-M	D-M	46411	1	1	HS21-B	B	10/13/04

4

3

2

1